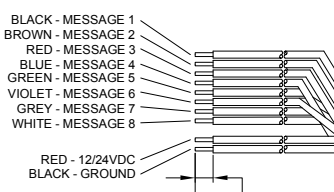
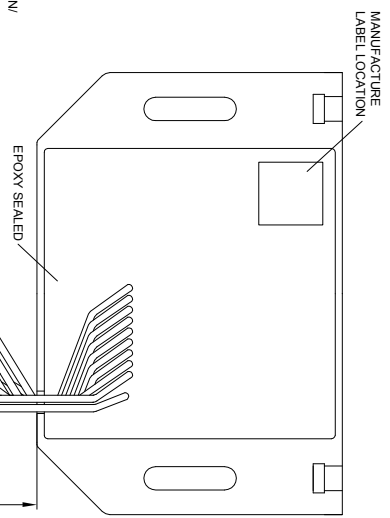
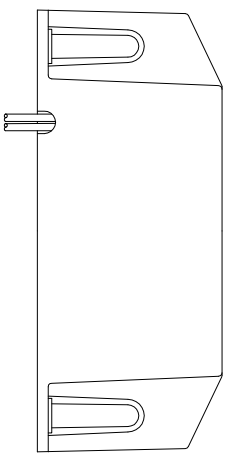
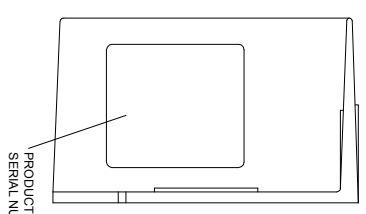
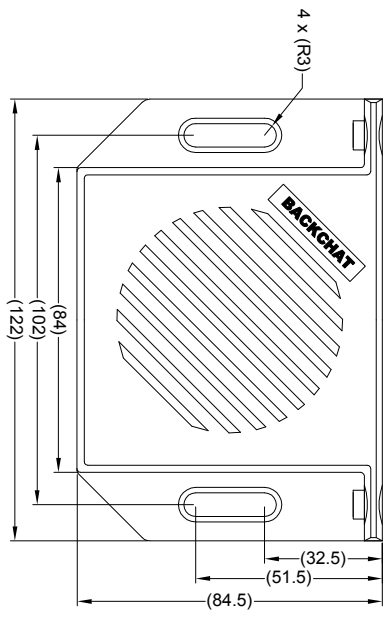
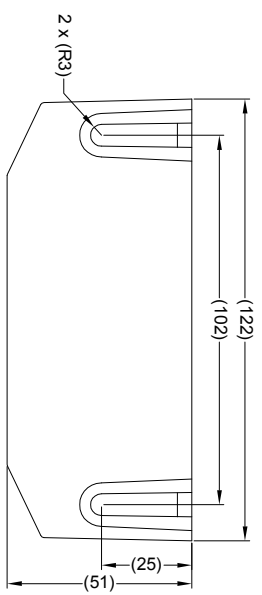


Revision Notes	6	7	8
R1 - NOTES UPDATED TO INDICATE CORRECT LABEL DETAILS. STANDARDS UPDATED AS PER ECR CR-A253			
APAC AHEADLE	Drawn/BATES	Checked/MBUTLER	Approved/GPUTH
			Date: 06/02/14



SPECIFICATION

RATED VOLTAGE: 12 AND 24 VOLTS DIRECT CURRENT (WORKING VOLTAGE RANGE 10 THRU 30 VOLTS)
 RATED CURRENT: 0.5 AMPERES OR LESS
 SOUND PRESSURE: 90dB DECIBELS AT TEST VOLTAGE OF 14 AND 28 VOLTS
 CABLE THICKNESS: POWER CABLES 24/0.2MM
 MESSAGE CABLES 180.2MM
 MESSAGE(S): 1. "RESPONSE CUSTOM MESSAGE"
 2. "RESPONSE CUSTOM MESSAGE"
 3. "RESPONSE CUSTOM MESSAGE"
 4. "RESPONSE CUSTOM MESSAGE"
 5. "RESPONSE CUSTOM MESSAGE"
 6. "RESPONSE CUSTOM MESSAGE"
 7. "RESPONSE CUSTOM MESSAGE"
 8. "RESPONSE CUSTOM MESSAGE"
 MESSAGE LIBRARY NUMBER(S) / ASSIGNED AFTER CONFIRMATION
 VOICE/ACCENT: DEPENDENT ON CUSTOM MESSAGE
 LANGUAGE: DEPENDENT ON CUSTOM MESSAGE

- NOTES:**
1. MATERIAL: ABS PLASTIC - ULTRA VIOLET STABILIZED
 2. FINISH: BLACK
 3. FOR PRODUCT LABEL, REFER TO LATEST REVISION OF DRAWING BE-002749-XX-13.
 4. FOR GIFTBOX LABEL, REFER TO LATEST REVISION OF DRAWING BE-002325-XX-13.
 5. FOR MANUFACTURE LABEL, REFER TO LATEST REVISION OF DRAWING BE-001990-XX-12.
 6. 2 X M6 X28 BOLTS, 2 X M6 FLAT WASHER & 2 X M6 NUTS ARE SUPPLIED IN A PRESS SEAL BAG IN THE BOX.
 7. POWER & MESSAGE CABLE LENGTHS ARE MEASURED FROM CABLE ENTRY POINT ON HOUSING.



PROPRIETARY NOTICE
 THIS DESIGN AND TECHNICAL INFORMATION APPEARING ON THIS DRAWING IS THE PROPERTY OF BRIGADE ELECTRONICS, AND IS DISCLOSED IN CONFIDENCE. IT IS NOT TO BE COPIED, REPRODUCED, REVEALED TO OR EXPLOITED BY OTHERS, EITHER IN WHOLE OR IN PART WITHOUT THE EXPRESS WRITTEN CONSENT OF BRIGADE ELECTRONICS.

BRIGADE
 www.brigade-electronics.com

Angle of Projection	Third Angle	Approved by	Checked by	Drawn by
		GP/ITH	R.BATES	M.BUTLER
Status RELEASED	Units	Scale	Released	Assembly Ref
	mm	N/A	29/05/13	BC-08 MK2
Part No	BC-08(B)			
1065A	BE-002415-01-13			

1 2 3 4 5 6 7 8 Frame V3